

TBR922

H.265 5MP at 30fps,
Up to 60M (196ft) IR Distance,
3.6-10mm Motorized Lens,
Speed of Vehicles 0-200km/h (0-124 mile/h),
IK10 Vandal Proof, IP67 Weatherproof,
License Plate Capture Network Camera



- SmartCatch Technology ensures excellent 24/7 performance while producing clear, consistent, and accurate license plate images
- Advanced ambient compensation eliminates headlight glare and minimizes exposed plates for improved LPR/ ANPR accuracy
- Convenient image adjustment allows configuration for regional plate characteristics
- With LPR mode, the camera is able to isolate high-contrast license plate numbers from the moving vehicles to increase recognition accuracy. By switching to Overview mode, users can not only see license plates clearly, but also monitor the whole area with clear images day and night.
- The camera is specially designed for combating extreme weather conditions.

- SmartCatch II™ SoC LPR mode & Overview mode
- Vehicle speed 0-200 km/h (0-124 mile/h)
- 1/1.8" 6MP SONY STARVIS progressive CMOS sensor
- 5-Megapixel Resolution @ 30 fps, support H.265
- 3.6-10mm Motorized P-iris Lens, F1.5
- IR Illuminator: Up to 60M (196ft) IR Distance
- Digital lighting sensor with switch on adjustable lux threshold
- Extreme Wide Dynamic Range (WDR) with Multi Shutters (140dB)
- Easy-to-install with 3-Axis bracket
- Hard Coated Cover with Rain-wash Coating
- Anti-Corrosion Powder Coating
- Sturdy Camera Body from Aluminum Die Casting
- IK10 Vandal Resistant
- IP67 Weatherproof
- Wide Operating Temperature for Extreme Weather Conditions -40°C to 60°C/-40°F to 140°F
- Alarm-in/-out, Audio-in/-out, Micro SD Card Slot
- Support ONVIF

Sensor	
Image Sensor	1/1.8" 6MP Sony STARVIS progressive CMOS sensor
Effective Pixels	2592 (H) x 1944 (V)
Minimum Illumination	Color: 0.01 lux.; B/W: 0.0005 lux. @ F1.5
LPR	
License Plate	Reflective , Non-reflective
License Plate Capture Range	5M~15M (16 ~49ft)
Speed of the Vehicle	0~200km/h or 0-124 mile/h *The best testing result is under sufficient lighting condition
SmartCatch™ SoC	<p>LPR mode</p> <ul style="list-style-type: none"> - High contrast image - Two value converter - Support reflective car plate - Light sensor/ IR LED/ Car Speed adjustable <p>Overview mode</p> <ul style="list-style-type: none"> - Support reflective/ non-reflective car plate - 5MP high resolution capture multi-lanes - Light sensor/ IR LED/ Car Speed adjustable - Smart Profile Setting: City Surveillance, Highway, Toll station, Parking Lot
Build-in Installation Aids	Pixel counter, remote zoom (2.7x optical, 15x digital), remote focus
Lens	
Lens Type	Motorized Lens
Focal Length	3.6-10mm, F1.5
Iris	P-Iris
Field of View	47°~117°(D)/ 37°~90°(H)/ 27°~67°(V)
Built-in IR Illuminator	
Illumination Distance	Up to 60M(196ft)
LED Type	IR 850nm (TBR922) / IR 730nm (TBR922-R7)/ White LEDs (TBR922-W)
IR Control	Smart IR+, Adaptive IR
Image Setting	
Digital Zoom	1-15x, Arrow Key
Optical Zoom	Zoom Control: 1-200 level, Focus Control (Slider Control): Auto Focus, Micro Adjustment
Image Adjustment	Brightness (Value: 0-100), Contrast (Value: 0-100), Saturation (Value: 0-100), Sharpness(Value: 0-255), Hue Adjustment (Value: 0-100)
Digital Image Stabilization (DIS)	Yes
Orientation	Mirror(Flip left-to-right/ Flip top-to-bottom)/ Corridor
ROI (Region of Interest)	Stream 1/ Stream 2; 5 Zones , Low / Medium /High
Privacy Mask	5 Masks
OSD	Text Position: Top Left/ Top Right/ Bottom Left/ Bottom Right Text Color: Transparent/ Translucent; Black/ White/ Green/ Yellow Text Content: Date/Time, Camera Name, Camera Name+ Date/Time, Custom Text
Exposure	Auto/ Anti-Flicker 50Hz/ Anti-Flicker 60Hz/ Locked, Value Adjustment Range 0 - 255
Iris Control	10%-100%

Shutter Speed	1/7-1/20000 sec.
Gain Control	OFF/ Low/ Medium/ High/ User Define(Value Adjustment Range 1-512)
BLC	Disable / Enable
Wide Dynamic Range	Multi shutter WDR 140dB; Off/ Auto/ Level 1-10
AWB (Auto White Balance)	Auto/ OFF (RG Gain 0.00-10.00, BG Gain 0.00-10.00)
Defog	Advanced/Overview Mode: Low/ Medium/ High ; LPR Mode: Value Adjustment Range 0-255
Noise Reduction(Noise Filter)	On/Off (Level 1 - 11)
Day/Night	Auto/ Forced Day/ Force Night/ Schedule/ Light Sensor (switch on adjustable lux threshold)
Image Profile Control	Force Day/ Force Night/ Auto(Follow Day Night Control)
ICR (IR Cut) Control	Force Day/ Force Night/ Auto(Follow Day Night Control)
IR LED Control	Auto/ Forced Day/ Force Night/ Schedule/ Digital Light Sensor (switch on adjustable lux threshold) Wide IR: OFF/ Auto/ High/ Medium/ Low Tele IR: OFF/ Auto/ High/ Medium/ Low
External Lighting Control	On/ OFF
LPR Mode Image Setting	
Max Car Speed (km/h)	0-200 km
Max Sens Up Gain	0-512 level
Auto Day/ Night Switch	ON/ OFF; Schedule/ Digital Light Sensor(switch on adjustable lux threshold)
External Lighting Control	ON/ OFF
Two Value Converter	ON/ OFF, Threshold: 1-255 level
Defog	0-255 level
IR LED Intensity	0-100 level
Video	
Video Streaming	Triple Streaming
Video Compression	H.265/ H.264/ M-JPGE
Video Resolution/Frame Rate	5MP(2592x1944) @ 30fps, 3MP (2048 x 1532) @30 fps, HD 1080P (1920 x 1080) @ 30fps 720P (1280 x 720), VGA (640 x 480) @30fps, 640x360@ 30fps, QVGA (320 x 240) @ 30 fps
Video Quality	H.265 / H.264: CBR/ CVBR ; MJPEG: Low/ Medium/ High
Bit Rate	64-8000 kbit/s
Frame Rate	30fps max
GOP Length	1-120 level
Smart Streaming	Smart ROI, FPS, GOP
Audio	
Audio Streaming	support Full-Duplex; Volume: Low/ Mid/ High
Audio Compression	G.711 8KHZ/ 16bits; U-Law/ A-Law
Event Triggers & Actions	
Alarm Detection	On/ Off/ Schedule
Motion Detection	On/ Off/ Schedule, 5 Zones, Sensitivity: range 1-100

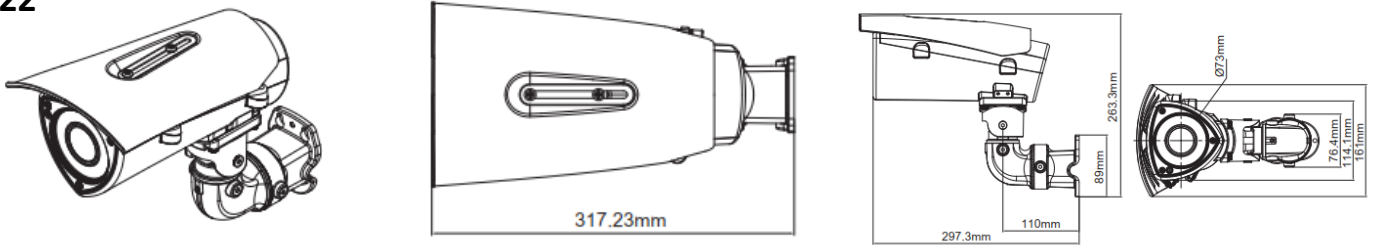
Tampering Alarm	On/ Off/ Schedule, Sensitivity: Low/ Medium/ High
Object/ Intrusion Detection	On/ Off/ Schedule (Line) Object-Counting (One way/ Two way) / Line Intrusion (One way/ Two way) / Zone Object-Counting (Inside/ Outside) / Zone Intrusion (Inside / Outside)
Event Trigger	Alarm Detection, Motion Detection, Tampering Alarm, Object Detection, Intrusion Detection
Event Actions	Save Video/Snapshot to SD card (5 seconds pre-recording, 100 seconds post-recording, AVI & JPEG format) File upload stream to FTP Server, HTTP Network Shortage E-mail notification via SMTP Alarm output
Network	
Interface	10/100/1000 Mbps Ethernet, RJ-45
Protocol	TCP/IP, UDP, RTP, RTSP, RTMP, FTP, SNMP, SMTP, DHCP, DNS, DDNS, NTP, UPnP, ONVIF, IPv4/v6, HTTP, HTTPS, SSL,SSH, IEEE802.1x, Firewall, LDAP, GB28181
Security	HTTP encryption/Multi-level user management (15 users)/IP address filtering
Connectivity	ONVIF Profile
DDNS Settings	Support DynDNS/NO-IP/Two-DNS server
Multicast Function	Yes
Browser	Internet Explorer, Chrome, Firefox, Safari
General	
Audio I/O	3.5 mm phone jack x1; Line-in, Line-out
Digital I/O	Dlx1, DOx1
Weatherproof	IP67
Vandal Resistant	IK10
Operating Temperature	-40°C to 60°C (-40°F to 140°F)
Humidity	90% RH (No Condensation)
Power Source	PoE+ (IEEE 802.3at), DC 12V/AC 24V terminal block
Heater	Single-heater (Default) Double-heater (Optional)
Power consumption	Without heater on: 18W With heater on: 21.5 W
Dimension	317.23mm (D) x 161mm (W) x 263.3 mm (H) / 12.4"(D) x 6.3"(W) x 10.3"(H)
Application	SDK available for application development
Micro SD	Micro SDHC support up to 64GB
Weight	3kg
Certification	CE/FCC
Ordering Information	TBR922: Short Range LPR/ANPR Camera with IR 850nm TBR922-R7: Short Range LPR/ANPR Camera with IR 730nm TBR922-W: Short Range LPR/ANPR Camera with White LEDs



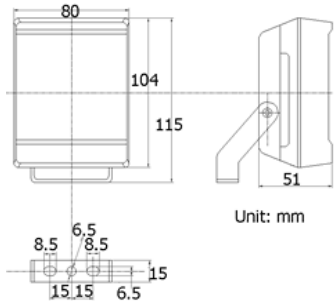
External Illuminator	AIR080	AIR150
Illumination Distance	80M (262ft)	150M (492ft)
LED Type	6 pieces high power IR LEDs/White LEDs	30pcs 2W dot-matrix IR LEDs/White LEDs
Angle	30°	10°
Wavelength	850nm (IR LEDs) / 560-570nm (White LEDs)	850nm (IR LEDs) / 560-570nm (White LEDs)
Day & Night Switch	Auto by camera photocell sensitivity(10-20 lux) through digital I/O	Auto by camera photocell sensitivity(10-20 lux) through digital I/O
Voltage	PoE IEEE 802.3af	AC110-220V (built-in switching power adaptor)
Power Consumption	12W	37W
Housing	Aluminum die-casting housing	Aluminum die-casting housing
Panel	High light transmittance toughened glass	High light transmittance toughened glass
Mounting	Wall mounting "U" bracket	Wall mounting "U" bracket
Dimension	80*155*51 mm	213*210*115 mm
Weight	0.53 kg	3.3 kg
Operation Temperature	-40°C ~60°C(-40°F~140°F)	-40°C ~60°C (-40° ~140°F)
Weather/ Vandal Proof	IP66, IK10	IP66
Ordering Information	AIR080-POE: 80M(262ft) External IR LEDs Illuminator AIR080W-POE: 80M(262ft) External White LEDs Illuminator <u>TBR922-080</u> TBR922 LPR/ANPR IR LEDs camera with 80M(262ft) External IR LEDs Illuminator <u>TBR922-080W</u> TBR922W LPR/ANPR White LEDs camera with 80M(262ft) External White LEDs Illuminator	AIR150-POE: 150M(492ft) External IR LEDs Illuminator AIR150W-POE: 150M(492ft) External White LEDs Illuminator <u>TBR922-150</u> TBR922 LPR/ANPR IR LEDs camera with 150M(492ft) External IR LEDs Illuminator <u>TBR922-150W</u> TBR922W LPR/ANPR White LEDs camera with 150M(492ft) External White LEDs Illuminator

Dimension Drawing

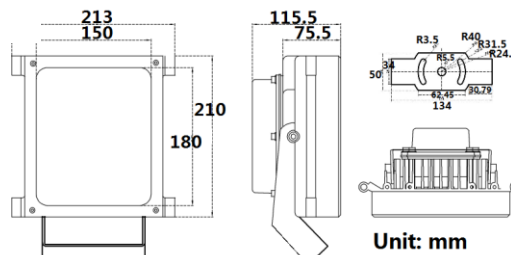
TBR922



AIR080



AIR150



2019-09-25 released
Specifications are subject to change without notice.
Copyright © DivioTec Inc. 2019.
All Rights Reserved