

NDR555PA

H.265, 5MP, P-Iris 2.7-15mm
 Motorized Lens, 35M(114ft) IR Distance,
 Smart IR+, ICR D/N, Ultra Low Light, SDS Plus,
 IP66 weatherproof, IK10 Vandal Resistance,
 Video Analytics on Cam



Why DivioTec?

DivioTec's aim is to transcend the capabilities of the human eye and deliver an entirely new field of view. Our integrative skills and our 20 years of industry experience are constantly driving new innovations.

Our simple, easy-to-use interfaces and our rock-solid security hardware are rapidly earning the respect and confidence of our clients.

We also make a point of listening carefully to our customers' needs, applying what we learn to develop outstanding new products and a culture of exceptional service.

At DivioTec, our experience is your protection.

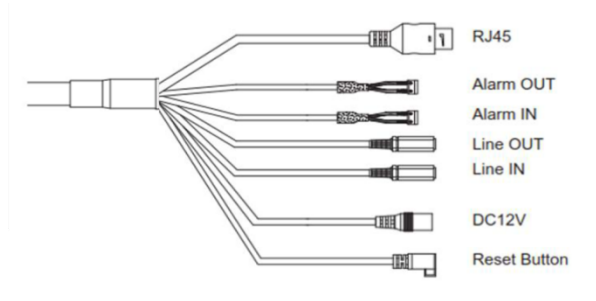
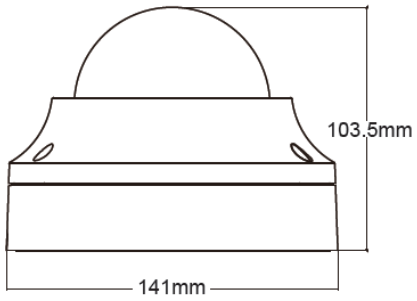
- 1/2.8" 5MP Sony STARVIS CMOS Progressive Sensor
- Support 5MP/3MP@ 30 fps
- P-Iris 2.7– 15mm, Motorized Lens, F1.6
- Support full-color low light performance
- IR Illuminator: 35M (114ft) IR Distance, Smart IR+
- Smart Filtering Function: Removable IR-cut Filter for Day and Night
- Multi Shutter WDR 140dB
- H.265/H.264/M-JPEG Video Compression
- Advanced Video Analytics: Line Crossing, Loitering Detection, Camera Tampering, Intrusion Detection, People/Vehicle Counting, Object Left/Removed
- SDS (Smart Dynamic Streaming) Plus: Smart ROI, FPS, GOP
- Support Defog Technology
- Support micro SD Card Slot, Alarm-in/-out, Audio-in/-out
- Support PoE/DC12V Power input
- IP66 Weatherproof, IK10 Vandal Resistance, 3-Axis Rotation
- Operating Temperature from -40°C to 60°C/-40°F to 140°F
- ONVIF Profile S, G, Q, T

Sensor	
Image Sensor	1/2.8" 5MP Sony STARVIS CMOS Progressive Sensor
Effective Pixels	2592(H)x1944 (V)
Minimum Illumination	Color: 0.006 Lux; B/W: 0.0009 Lux (0 Lux with IR illumination ON) @ F1.6
Lens	
Lens Type	Motorized
Focal Length	2.7-15mm, F1.6
View Angle	28°-108°(H)/ 16°-57°(V)/ 33°-130°(D)
Angle Adjustment	Pan: 0° ~ 355° / Tilt: 0° ~ 60° / Rotate: +100° ~ -100°
Iris Control	P-Iris
IR	
IR illuminator	Up to 35M (114ft), 850nm Wavelength
IR Control	Smart IR+
Image Setting	
Shutter Speed	Auto/Manual (1/7~1/20000)
WDR	Multi Shutter WDR 140 dB ; Auto / Manual Adjustable 10 Level
Day/Night	Auto/Day/Night /Schedule
ICR Day/ Night	Auto/ Force Day/ Force Night
Gain Control	Off /Low /Medium /High /User Define 1-512
Auto Exposure	Auto /50Hz /60Hz /Lock 0-255 Level
White Balance	Auto/off
Backlight Compensation	Yes
Orientation	Mirror/ Flip / Corridor
Privacy Mask	5 Areas
OSD	Date/Time, Camera Name, Customer Text
Defog	Off /Low /Medium /High
Noise Reduction	Off/1-11 Level/Auto
Picture Adjustment	Brightness, Contrast, Saturation, Sharpness, Hue Adjust
ROI (Region Of Interest)	5 Zones , 3 Level: Low /Medium /High
Image Profile Setting	2 Profiles: Day & Night : Auto Switch /Force Day/Force Night
Video	
Video Compression	H.265 / H.264 / M-JPEG
Video Streaming	Triple streaming
Video Resolution/Frame Rate	2592x1944@30FPS/2048x1536@30FPS/Full HD 1080P(1920 X 1080)@60FPS/HD 720P(1280 x 720)@30FPS/ D1-PAL (720x576)@30FPS/ D1-NTSC (720x480)@30FPS/VGA (640x480)@30FPS/640x 360@30FPS/QVGA (320x240)@30FPS
SDS(Smart Dynamic Streaming)	Smart ROI, FPS, GOP

Bit Rate	64K-8000K
Video Analytics Behaviors	
Advanced	Intrusion Detection (Line/Zone; by People/ by Vehicle/ all Object) Object Counting (Line/Zone; by People/ by Vehicle/ all Object) Line Crossing (by People/ by Vehicle/ all Object; Direction Setting: Left/ Right) Loitering Detection (by Second) Object Left / Object Removed
Essential	Object Counting (Line/Zone) Object Intrusion Detection (Line/Zone)
Event Management	
Event Trigger	Motion Detection; Alarm-In/-out; Video Analytics Behaviors
Event Actions	File upload via FTP, HTTP, Network Storage and email Notification via email, HTTP, TCP Video recording to SD card, FTP Alarm output port
Alarm I/O Detection	On/ Off/ Schedule
Motion Detection	On/ Off/ Schedule; Sensitivity: 0-100; Zone: 1-5
Tampering Alarm	On/ Off; Trigger by Light Changes; Sensitivity: 0-100
Network	
Interface	10/100 Mbps Ethernet, RJ-45
Protocol	IEEE802.1x, EAP-MD5, EAP-TLS, EAP-TTLS, EAP-PEAP, DDNS, DHCP, Firewall, FTP, GB28181, HTTP, HTTPS, IPv4, IPv6, LDAP, NTP, RTP, RTSP, RTMP, SSL, SSH, SNMP, SNMP V2c, SNMP V3, SMTP, TCP/IP, UDP, UPnP, Bonjour, ARP, TLS
Security	User account and password protection, HTTPS, IP Filter, Digest Authentication, TLS1.2 only, Stream encryption, AES-128/256, SSH/ Telnet closed, PCIDSS compliance
User	12 user account/ 2 level: admins/views
Connectivity	ONVIF Profile S, G, Q, T
Browser	Internet Explorer, Google Chrome, Mozilla Firefox
General	
Operating Temperature	-40°C to 60°C/-40° F to 140° F
Humidity	10% ~ 90%, No Condensation
Weatherproof	IP66
Vandal proof	IK10
Dimension	141 x 103.5 mm (5.5 x 4.1 in) ,
Weight	950 g
Alarm I/O	Alarm-In/-out (terminal block) ;
Audio	Two way, Line-in/Line-out (phone jack), G.711 PCM 8KHz
Power Input	PoE (IEEE 802.3af)/DC12V: 7W max.
Micro SD	Compliance with SDHC(up to 32GB)/SDXC(up to 2TB) standard
Reset button	Yes
Certification	CE/FCC Class A
Application	SDK available for application development
Ordering Information	NDR555PA



Dimension Drawing



2022-03-29 released
Specifications are subject to change without notice.
Copyright © DivioTec Inc. 2029.
All Rights Reserved