

NBR126PA

H.265, Full HD 1080P at 60 fps, P-Iris 2.7-15mm Motorized Lens, 55M (180ft) Adaptive IR Distance, Smart IR+, ICR D/N, Ultra Low Light, SDS Plus, IP66 weatherproof, IK10 Vandal Resistance, Video Analytics on Cam



Why DivioTec?

DivioTec's aim is to transcend the capabilities of the human eye and deliver an entirely new field of view. Our integrative skills and our 20 years of industry experience are constantly driving new innovations.

Our simple, easy-to-use interfaces and our rock-solid security hardware are rapidly earning the respect and confidence of our clients.

We also make a point of listening carefully to our customers' needs, applying what we learn to develop outstanding new products and a culture of exceptional service.

At DivioTec, our experience is your protection.

- 1/2.8" 2MP Sony STARVIS CMOS Progressive Sensor
- Full HD 1080P @ 60 fps/50fps
- P-Iris 2.7– 15mm, Motorized Lens, F1.6
- Support full-color low light performance
- IR Illuminator: 55M (180ft) IR Distance, Smart IR+, Adaptive IR technologies
- Smart Filtering Function: Removable IR-cut Filter for Day and Night
- Multi Shutter WDR 140dB
- H.265/H.264/M-JPEG Video Compression
- Advanced Video Analytics: Line Crossing, Loitering Detection, Camera Tampering, Intrusion Detection, People/Vehicle Counting, Object Left/Removed, Audio Detection
- SDS (Smart Dynamic Streaming) Plus: Smart ROI, FPS, GOP
- Support Defog Technology
- Support micro-SD Card Slot, Alarm-in/-out, Audio-in/-out
- Support PoE/DC12V Power input
- IP66 Weatherproof, IK10 Vandal Resistance, 3-Axis Rotation
- Operating Temperature from -40°C to 60°C/-40°F to 140°F
- ONVIF Profile S, G, Q, T

Sensor	
Image Sensor	1/2.8" 2MP Sony STARVIS CMOS Progressive Sensor
Effective Pixels	1920(H) x 1080(V)
Minimum Illumination	Color: 0.006 Lux; B/W: 0.0009 Lux (0 Lux with IR illumination ON) @ F1.6
Lens	
Lens Type	Motorized
Focal Length	2.7-15mm, F1.6
View Angle	28°-108°(H)/ 16°-57°(V)/ 33°-130°(D)
Iris Control	P-Iris
IR	
IR illuminator	Up to 55M (180ft), 850nm Wavelength
IR Control	Adaptive IR Technologies, Smart IR+
Image Setting	
Shutter Speed	Auto/Manual (1/3~1/71428)
WDR	Multi Shutter WDR 140 dB
Day/Night	Auto/Day/Night /Schedule/Light Sensor
ICR Day/ Night	Auto/ Force Day/ Force Night
Gain Control	Yes
Auto Exposure	Auto /50Hz (PAL) /60Hz (NTSC) /Lock
White Balance	Auto/OFF
Backlight Compensation	Yes
Orientation	Mirror/ Rotate (0°/90°/180°/270°)
Privacy Zone	5 Areas
OSD (Overlay)	OFF, Date/Time, Camera Name, Custom Text
Local Contrast	Yes
Defog	Yes
Noise Reduction	Yes
Picture Adjustment	Stabilize, Brightness, Contrast, Saturation, Sharpness, Hue Adjust
ROI (Region of Interest)	5 Zones, 3 Level: Low /Medium /High
Image Profile Setting	2 Profiles: Day & Night: Auto Switch /Force Day/Force Night
Profile Management	10 Profiles: Schedule, Rename, Access, Export, Import
Video	
Video Compression	H.265 / H.264 / M-JPEG
Video Streaming	Triple streaming

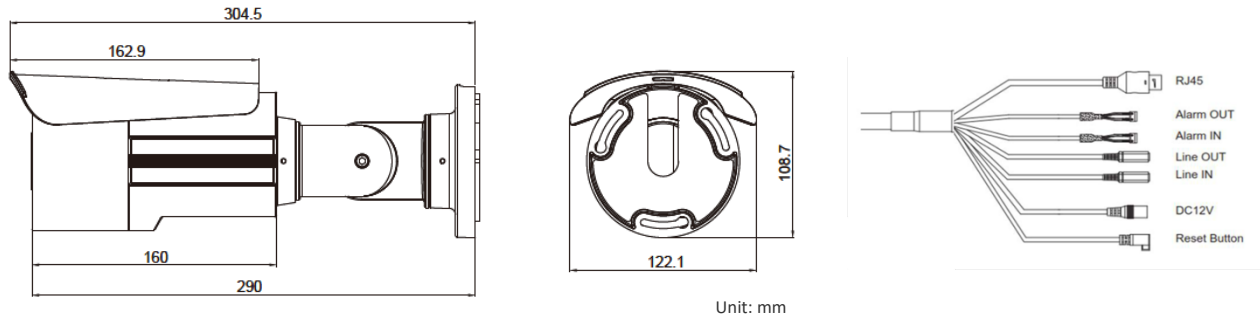
Video Resolution/Frame Rate	NTSC: Full HD 1080P (1920 X 1080) @60FPS, HD 720P (1280 x 720) @60FPS, D1 (720x576)/ D1 (720x480)/ VGA (640x480)/640x 360/ QVGA (320x240) @60FPS / VGA (640x 360)/ QVGA (320x240) @30FPS PAL: Full HD 1080P (1920 X 1080) @50FPS, HD 720P (1280 x 720) @50FPS, D1 (720x576)/ D1 (720x480)/ VGA (640x480)/640x 360/ QVGA (320x240) @50FPS / VGA (640x 360)/ QVGA (320x240) @25FPS
SDS (Smart Dynamic Streaming)	Smart GOP, FPS, ROI
Bit Rate	2K-8000K
Video Analytics Behaviors	
Advanced	Intrusion Detection (Line/Zone; by People/ by Vehicle/ all Object) Object Counting (Line/Zone; by People/ by Vehicle/ all Object) Line Crossing (by People/ by Vehicle/ all Object; Direction Setting: Left/ Right) Loitering Detection (by Second) Object Left / Object Removed
Essential	Object Counting (Line/Zone) Object Intrusion Detection (Line/Zone)
Event Management	
Event Trigger	Motion Detection; Alarm-In/-out; Video Analytics Behaviors; Tampering Alarm, Scheduled
Event Actions	File upload via FTP, HTTP, Network Storage and email Notification via email, HTTP, TCP Video recording to SD card, FTP Alarm output port Play Audio Clip
Alarm Handler	On/ Off; Schedule
Motion Detection	On/ Off; Schedule; Sensitivity: 0-100; Zone: 1-5
Tampering Alarm	On/ Off; Schedule; Trigger by Light Changes; Sensitivity: High/Mid/Low
Audio Detection	On/ Off
Network Loss Detection	On/ Off
Network	
Interface	10/100 Mbps Ethernet, RJ-45
Protocol	IEEE802.1x, EAP-MD5, EAP-TLS, EAP-TTLS, EAP-PEAP, DDNS, DHCP, Firewall, FTP, GB28181, HTTP, HTTPS, IPv4, IPv6, LDAP, NTP, RTP, RTSP, RTMP, SSL, SSH, SNMP, SNMP V2c, SNMP V3, SMTP, TCP/IP, UDP, UPnP, Bonjour
User	12 user account/ 2 level: admins/views
Connectivity	ONVIF Profile S, G, Q, T
Browser	Google Chrome(recommended), Internet Explorer, Mozilla Firefox
General	
Operating Temperature	-40°C to 60°C/-40° F to 140° F
Humidity	10% ~ 90%, No Condensation
Weatherproof	IP66
Vandal proof	IK10
Dimension	122 X 109 X 305 mm (4.8 x 4.3 x 12 inch)
Weight	1350g
Alarm I/O	Alarm-In/-out (terminal block)
Audio	Two way, Line-in/Line-out (phone jack), G.711 PCM 8KHz
Power Input	PoE (IEEE 802.3af)/DC12V: 10W max.
Micro SD	Compliance with SDHC(up to 32GB)/SDXC(up to 2TB) standard
Reset button	Yes

Certification	CE/FCC Class A
Application	SDK available for application development
Ordering Information	NBR126PA Network Camera AMS-107 Simple Pole Mount

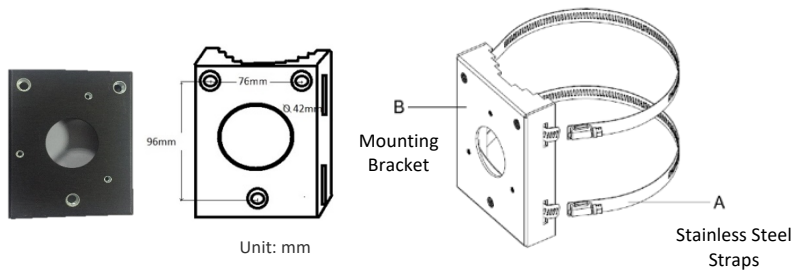


Dimension Drawing

NBR126PA Network Camera



AMS-107 Simple Pole Mount



Materials : Metal (Black color) with two stainless steel straps(165 mm/ 6.5 inch), support 76 mm-152 mm (3 inch-6 inch) Pole mount.