

NDS285 PRO

2MP H.265 at 30fps, 300X
 (30X Optical, 10X Digital)
 Auto Zoom Focus, Smart ICR, Extreme WDR, PoE+,
 Network Speed Dome



Why DivioTec?

DivioTec's aim is to transcend the capabilities of the human eye and deliver an entirely new field of view. Our integrative skills and our 20 years of industry experience are constantly driving new innovations.

Our simple, easy-to-use interfaces and our rock-solid security hardware are rapidly earning the respect and confidence of our clients.

We also make a point of listening carefully to our customers' needs, applying what we learn to develop outstanding new products and a culture of exceptional service.

At DivioTec, our experience is your protection.

Designed by DivioTec USA.

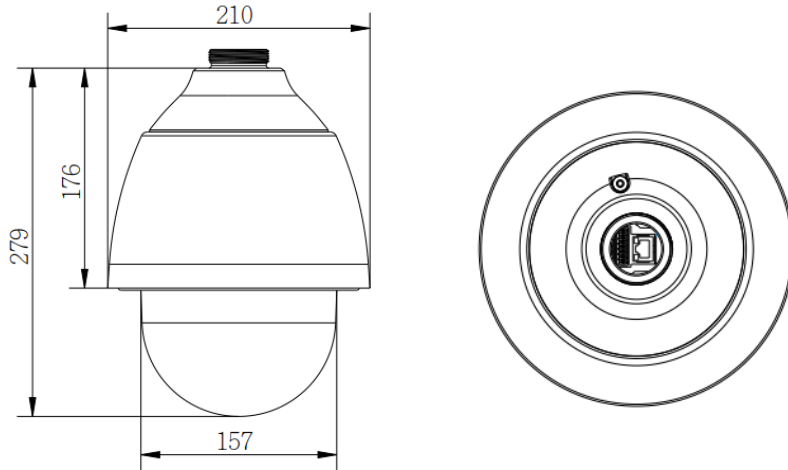
- 2-Megapixel 1/2.8" SONY Progressive Scan CMOS Sensor
- 2-Megapixel Resolution @ 60 fps Real-Time
- H.265/H.264 /MJPEG Compression
- Quad streaming support/Low Latency Streaming
- Electrical Image Stabilizer(EIS) support
- 300X (30X Optical Lens, 10X Digital Lens) Auto Zoom Focus
- 256 presets, High speed up to 400°/sec, 360° endless
- Smart Day and Night
- Extreme Wide Dynamic Range (WDR)
- 3D Noise Reduction
- ROI (Region of Interest) with Multi Cropping
- Servo Feedback-Guarantees no stalling
- Zero-Down-Time(ZDT) Power Switching
- Text Overlay and Privacy Mask
- Tampering Alarm /Motion/Network Failure Detection
- IP66, IK10 Vandal Resistant Certificate

Sensor	
Image Sensor	1/2.8" Sony Progressive CMOS
Effective Pixels	1945 (H) x 1097 (V)
Minimum Illumination	0.04 lux (Color); 0.005 lux (B/W) @F1.6
Lens	
Focal Length	1.2 ~129 mm, P-iris
Aperture	F1.6 (Wide); F4.7(Tele)
Field Of View	H: 67°~2°; V: 38°~1°
Optical Zoom	30X
Digital Zoom	10X
Image Setting	
Wide Dynamic Range	Shutter WDR (Up to 120 dB)
White Balance	Auto/One Push/ATW/Manual
Shutter Speed	1/1~1/10,000 sec.
Iris Control	Auto/ level 1-10
Gain Control	Level 1-9
Analog output	Yes, Always on
Text Overlay	Date & Time/ Text String/ Subtitle/ Image/ Azimuth/ Zoom Ratio
Day/ Night	Auto/ Night/ Day/ Light sensor(Day/ Night Switch Threshold: level 1-10 illumination)/ Smart
IR Light Compensation	Yes
Smart Schedule Profile	Multiple schedule applied to one camera configuration profile or Event management Support up to 10 sets of schedule: Day/ Night/ Manual (Start Time, Duration) 10 Profiles (Configurable: Shutter Speed, Exposure, Gain, Wide Dynamic Range, Noise Reduction, White Balance, Backlight Compensation, Picture Adjustment: Brightness/Sharpness/Contrast/Saturation/Hue)
Rotate Function	Mirror/ 90°/ 180°/ 270° rotation
Digital Noise Reduction	3DNR: Low/ Mid/ High; 2DNR: On/ Off; ColorNR: Low/ Mid/ High
Operation	
Multiple Languages	English/French/German/Italian/Simplified Chinese/Traditional Chinese/Russian/Spanish/ Japanese/ Portuguese
Pan Travel	360° endless
Tilt Travel	-20°~100°
Speed by Zoom	Pan: 0.1° ~ 90°/s , Tilt: 0.1° ~ 60°/s
Presets	256
Preset Accuracy	0.225°
Preset Speed	Pan: 5° ~ 400°/s Tilt: 5° ~ 300°/s
Sequence	8
Auto Pan	4
Cruise	8
Privacy Mask	16
Proportional Pan & Tilt	Yes

Resume after Power loss	Yes
Home Function	Time: 1-128min; Preset/Sequence/Auto Pan/ Cruise
Electronic Image Stabilization	On/ Off
Auto Flip	M.E /Off
Set pan zero	Yes
Audio	
Transmission Mode	Full-duplex (Talk and Listen simultaneously)/ Half-duplex (Talk or Listen, not at the same time)/ Simplex (Talk only)/ Simplex (Listen only)/ Disable
Audio Bit rate	16 kbps/ 24 kbps/ 32 kbps, 40 kbps/ uLAW (64 kbps)/ ALAW (64 kbps)/ AAC (128 kbps)/ PCM (128 kbps)/ PCM (256 kbps), PCM (384 kbps)/ and PCM (768 kbps)
Recording to Storage	Yes
Event	
Motion Detection	Motion detection window x 4 set
Audio Detection	Detection level: 1-100; Time interval (sec): 0-7200
Event Triggers	Motion Detection, Audio Detection, Network Failure Detection
Event Action	Enable Alarm Output Send Message by FTP/E-Mail Upload Image by FTP Upload Image by E-Mail Send HTTP Notification Record Video Clip PTZ Function (perform: Preset/ Sequence/ Autopan/ Cruise on the specific Function Line)
Network	
Networking	RJ-45, 10/100 Mb Ethernet
Protocol	ARP, PPPoE, IPv4/v6, ICMP, IGMP, QoS, TCP, UDP, DHCP, UPnP, SNMP, SMTP, RTP, RTSP, HTTP, HTTPS, FTP, NTP, DDNS
Security	HTTPS/IP Filter/IEEE 802.1x; user account: 20; level: user/administrator
Supported Web Browser	Internet Explorer (10.0+)/Firefox/ Safari
ONVIF	Profile S / G / M / T
Video Codec	
Video Compression	H.265/H.264/MJPEG
Video Resolution	H.265/ H.264/ MJPEG - Full HD 1080P/SXGA/HD 720P/XGA/SVGA/D1/VGA/CIF
General	
Audio	G.711/G.726/AAC/LPCM, Two way audio(Line-in/-out), Terminal Block
Alarm in/out	4-in(5V 10KΩ pull up) /2-out (Relay output: Max. 120mA DC 400V / 120mA AC 250V)
Alarm Reaction	Preset/Sequence/Auto Pan/Cruise
SD Card	SDXC up to 128GB support
Connector	RJ4, Alarm Terminal Block (in x4,out x2), DC12V Terminal Block, AC24V Terminal Block, Audio Terminal Block(inx1, outx1) CVBS Connector, RS485 Terminal Block
Waterproof/Vandal proof	IP66/IK10(Vandal resistant polycarbonate)
Operating Temperature	-25°C~50°C (-13°F~122°F) -40°C~50°C (-40°F~122°F) with Heater
Dimension	ø 210mm × 279 mm (ø 8.27"×10.98") with Sunshield

Weight	2.9kg (6.39lbs) with Sunshield
Power Source	802.3 at PoE+ (30W)/ AC 24V ± 10%/ DC 12V (ZDT PoE+ and DC12V only)
Power Consumption	25.4W
Regulatory	CE/FCC/RoHS/LVD
Ordering information	NDS285 PRO

Dimension Drawing



Unit = mm



2021-9-17 released
Specifications are subject to change without notice.
Copyright © DivioTec Inc. 2021.
All Rights Reserved