

# DIVIO<sup>Tec</sup>



De-icing



## NDS295PRO

High Speed Pan, tilt, and zoom for panoramic coverage

8MP H.265 at 30fps, 420X (35X Optical, 12X Digital)  
Auto Zoom Focus, Smart ICR, IR Distance 400M,  
ShakeDry Function remotely removes water drips from  
the dome glass, IP67 Weatherproof, IK10 Vandal Proof,  
Network speed dome camera.



H.265



SD Card



30fps



Video  
Analysis



S-WDR



PoE+



-40°C~60°C



Defog



IP67



IK10

## Products

- 1/1.8" Progressive CMOS
- Support 8MP @30fps
- Motorized Lens 6.5-230 mm, F1.5-5.3
- Support 35x Optical Zoom, 12x Digital Zoom
- IR Illuminator: Up to 400M (1312ft) IR Distance
- ShakeDry Function remotely removes water drips from the dome glass
- Smart Filtering Function Removable IR-cut Filter for Day and Night
- Extreme Wide Dynamic Range (WDR) with multi shutter
- H.265/ H.264/ MJPEG Video Compression
- IP67 Weatherproof, IK10 Vandal Resistance
- Optical Image Stabilizer (OIS)
- ONVIF Profile S, G, T, M
- Micro SD card slot, Alarm I/O
- Operating Temperature from -40°C ~ 60°C ( -40°F ~ 140°F)

## Features

### High speed outstanding Pan /Tilt /Zoom rotation

The rotation angle and speed of the DivioTec PTZ series exhibit exceptional performance. Whether it's the horizontal or vertical angle, these cameras surpass the competitors in the industry, offering a wider and faster range of rotation per second. DivioTec's PTZ cameras excel at covering extensive areas and capturing intricate details, all with just a single camera. With excellent image quality and precise zooming capabilities, these cameras make verifying security incidents that catch your attention effortless. Moreover, they can swiftly move between pre-set locations and automatically zoom in response to recognized events. DivioTec also boasts an array of advanced features that can be seamlessly integrated into existing camera systems.



## 20-degrees above the horizon coverage

DivioTec PTZ series comes equipped with a wider tilt range, providing the ability to see 20-degrees above the horizon for greater situational awareness. The higher coverage range makes OCR and the object tracking function more powerful. DivioTec also offers seamless image quality and complete scene fidelity in all directions, both above and below the horizon. As a result, the series is ideally suited to wide area coverage and even on uneven terrain.



## ShakeDry remotely removes water drips

Our PTZ cameras are equipped with the innovative ShakeDry function, designed to overcome the challenges posed by raindrops and ensure crystal-clear video footage. With a simple activation from the remote, the camera initiates a rapid vibration sequence specifically designed to shake off raindrops from the lens surface. By swiftly eliminating these obstructions, the ShakeDry function guarantees that your video remains uninterrupted and remarkably clear, providing you with the utmost visual clarity even in the harshest weather conditions.



Before



After

# Specifications

Sensor	
Image Sensor	1/1.8" Progressive CMOS
Minimum Illumination	0.04 lux, 0lux (B/W) (IR on)
Lens	
Lens Type	Motorized
Focal Length	6.5-230 mm, F1.5-5.3
Iris type	DC Iris
FOV	60.4°~2.0° (H)/ 35.9° – 1.2° (V)/ 67.3° – 2.3° (D)
Pan/ Tilt/ Zoom	Pan:360°endless,0.05°~720°/s Tilt:20°~+90°,0.05°~540°/s
Optical Zoom	35x
Digital Zoom	12x
Capture Range	2.5KM
IR	
IR Distance	400M
Image Setting	
Shutter Speed	Auto/ Manual (1/7~1/71428)
WDR	Off-@60fps/ On-@30fps 130dB
Day/ Night	Force Day/ Force Night Automatically removable IR-cut filter
ICR Day/ Night	Auto/ Force Day/ Force Night/ Sync Day Night
Gain Control	Yes, Low/Medium/High
Profile Management	Multiple schedule applied to one camera configuration profile or Event management Support up to 10 sets of schedules: Day/ Night/ Manual (Start Time, Duration)10 Profiles
Auto Exposure	Auto/ Shutter Priority/ 50Hz/ 60Hz/ Lock
White Balance	Yes
BLC	Yes
Iris Control	Auto / level 1-10 (10-100%)
Noise Reduction	Yes
Backlight Compensation	Yes
Defog	Yes, Off/ Low/Medium/High

Privacy Mask	8 individual 3D privacy masks
Overlay (OSD)	OFF, Date/Time, Camera Name, Custom Text, Camera Name+ Date/ Time, Preset, Direction
Picture Adjustment	Brightness, Contrast, Saturation, Sharpness, Hue
ROI (Region of Interest)	5 Zones, 3 Level: Low/Medium/High
Optical Image Stabilizer (OIS)	Yes
Local Storage	Support Micro SD Card Slot
Video Analysis	Object tracking
<b>Operation</b>	
Multiple Languages	English/ Traditional Chinese/ Simplified Chinese/ Turkish/ Thai
Presets	256 preset positions, 32 presets per tour; Pan speed 0.05°~720°/s Tilt speed 0.05°~540°/s; Preset Accuracy: 0.005°
Sequence	Sequence line: 8 (max 16 preset for each line); dwell time: 5~120sec; speed: 30~720°/sec
Auto Pan	Auto Pan path: 1~4; speed: 1-90°/sec
Cruise	8
Home Function	Time: 1-120min; Preset/Sequence/Auto Pan/ Cruise/Track
Auto Flip Orientation	Yes, flip left to right or flip top to bottom
Set pan zero	Yes
D/N Auto Focus Calibration	Support
<b>Video and Audio</b>	
Video Compression	H.265 / H.264 / M-JPEG
Video Streaming	Multiple, individually configurable streams in H.265/H.264/MJPEG Bit Rate/frame rate/GOP Length/CVBR/CBR in H.265/H.264
Video Resolution	3840(H) x 2160(V)
SDS (Smart Dynamic Streaming)	Smart GOP, ROI
Video Bit Rate	500K~12000K
Audio	Two-way, Line-in/Line-out (phone jack), G.711 8KHz/ 8 bits
Transmission Mode	Full-duplex (Talk and Listen simultaneously)/ Half-duplex (Talk or Listen, not at the same time)/ Simplex (Talk only)/Simplex (Listen only)/ Disable
<b>Event Management</b>	
Event Trigger	Motion Detection, Alarm Handler, Tampering Alarm, Object Tracking, Audio Detection, Network Loss detection, Trigger Scheduled
Notifications	Trigger alarm output, e-mail/FTP and record Snapshot to Network storage or SD card (support for Micro SD/SDHC/SDXC of Storage)

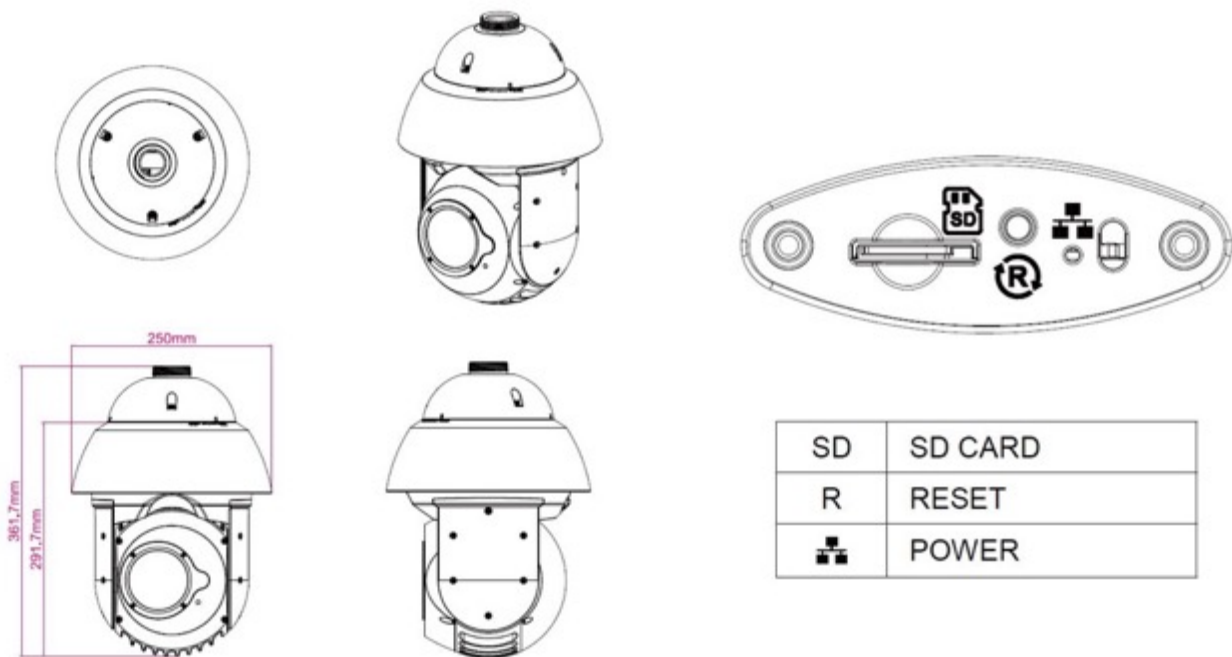
Alarm Handler	On/ Off/ Schedule
Motion Detection	On/ Off/ Schedule; 5 Zones
Tampering Alarm	On/ Off/ Schedule
Post/ Pre-Recording	Yes
<b>Network</b>	
Interface	RJ-45, 10/100/1000 BASE-T
Protocol	TCP/IP, UDP, ICMP, IPv4, IPv6, SNMP v2c/v3, QoS, HTTP, HTTPS, SSL, SMTP, FTP, RTSP, UPnP, DHCP, DNS, NTP, RTP, RTCP, DynDNS ,802.1x
User	10 user account/ 2 level: admins/ views
Connectivity	ONVIF Profile S, G, T, M
Browser	Google Chrome (recommended), Internet Explorer, Firefox, Safari
<b>General</b>	
Operating Temperature	-40°C ~ 60°C ( -40°F ~ 140°F)
Storage Temperature	-40°C ~ 60°C ( -40°F ~ 140°F)
Humidity	90% RH, No Condensation
ShakeDry	Remote Manual
Weatherproof	IP67
Vandal proof	IK10
Dimension	250*362mm*(ø)190 mm
Weight	5kg
Alarm I/O	Alarm (terminal block-in*1/-out*1)
Power Input	PoE (IEEE 802.3bt Class 6); AC 24V, 71W max.
Micro SD	Yes
Reset Button	Yes
Certification	CE/FCC UL
Application	SDK available for application development
Order Information	NDS295PRO PTZ Network Camera AMS-100-E Wall mount bracket for PTZ network camera AMS-102 Ceiling mount bracket for PTZ network camera



## Accessories (Optional)



## Dimension Drawing



## Why DivioTec?

DivioTec's aim is to transcend the capabilities of the human eye and deliver an entirely new field of view. Our integrative skills and our 20 years of industry experience are constantly driving new innovations.

Our simple, easy-to-use interfaces and our rock-solid security hardware rapidly earning the respect and confidence of our clients.

We also make a point of listening carefully to our customers' needs, applying what we learn to develop outstanding new products and a culture of exceptional service.

At DivioTec, our experience is your protection.

**DIVIO**<sup>Tec</sup>  
™